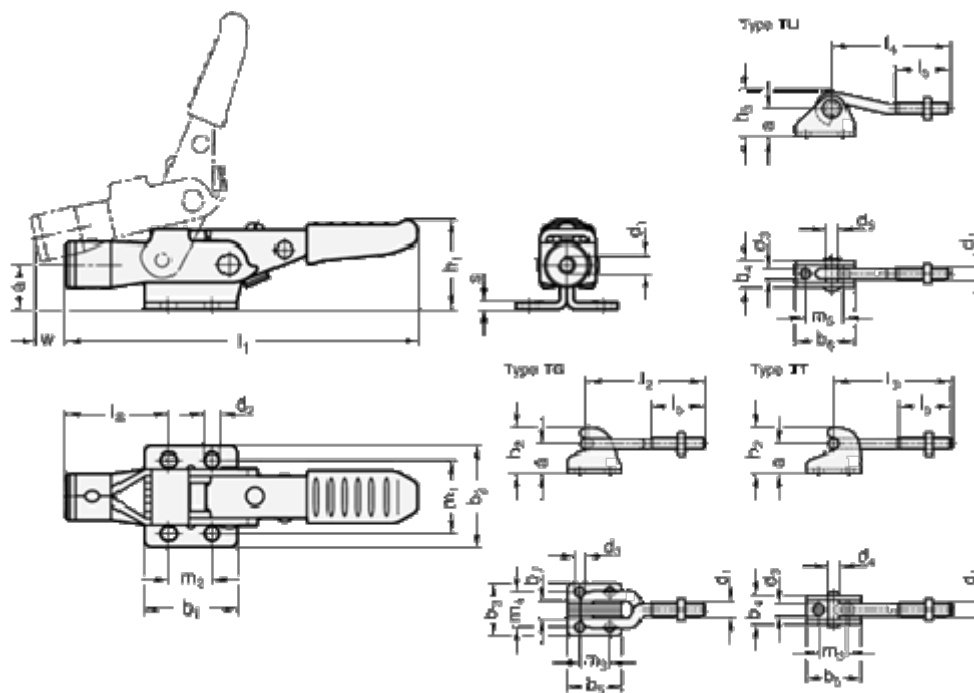


Article number: 20853320TTNI

Description: E+G Latch clamp with locking mechanism
GN 853-320-TT-NI

Measures



| | | | |
|-----------|-----------|------------------------|------------|
| a = 19 | d1 = M8 | Holding force N = 4000 | m2 = 19.0 |
| b1 = 40 | d2 = 6.7 | l1 = 153 | m3 = 19 |
| b2 = 44 | d3 = 6.7 | l2 = 76.5 | m4 = 22.3 |
| b3 = 34 | d4 = 7.0 | l3 = 76.5 | m5 = 25.4 |
| b4 = 18 | d5 = 8 | l4 = 76.5 | s = 3.0 |
| b5 = 35 | h1 = 38.5 | l5 = 34 | Size = 320 |
| b6 = 38 | h2 = 30.0 | l6 = 44.5 | w = 13 |
| b7 = 10.0 | h3 = 28.0 | m1 = 32 | |